



## SPECIAL CHAINS

FB 500 • Y-CHAINS  
DROPFORGED LINK CHAINS  
STAINLESS CHAINS  
CONNECTING LINKS



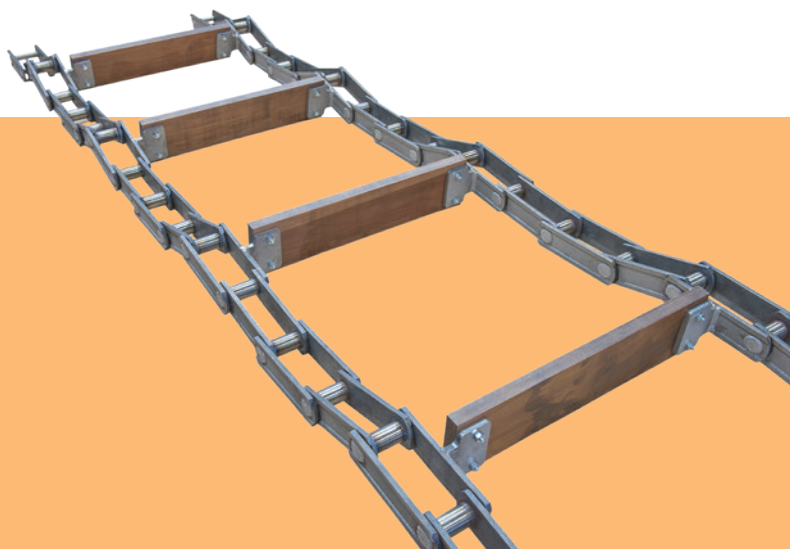
# SPECIAL CHAINS | FB 500

## STANDARD DIMENSIONS

Chain	Pitch mm	Inner width mm	Pin $\varnothing$ mm	Bush $\varnothing$ mm	Roller $\varnothing$ mm	Outer width mm	Side plates		Breaking load kN	Weight kg/m	
							Height/mm	Width/mm			w/roller
FB500	160 200	65	26	40	55	116			500		
							70	12		18,9	22,4
										17,3	20,1

## TECHNICAL DATA

Components	Material	Heat treatment	Hardness
<b>Side plate</b>			
std	FB1000		200–250 HB
option 1	FB1000	QT	320–350 HB $\pm$ 20 HB
<b>Pin</b>			
std	BM311	QT+IH	52 $\pm$ 2 HRC
option 1	AISI 420	QT+IH	50 $\pm$ 2 HRC
<b>Bush</b>			
std	CK15	CH	60 $\pm$ 2 HRC
option 1	AISI 420	QT+IH	50 $\pm$ 2 HRC
<b>Roller (type B)</b>			
option 1	CK15	CH	58 $\pm$ 2 HRC



### INDUSTRIES

- pulp and paper
- wood
- biomass and energy

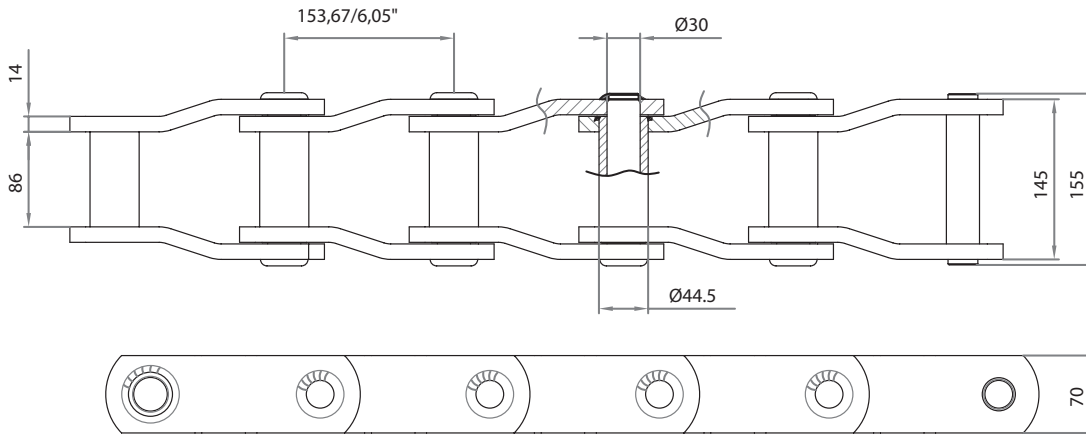
### TYPICAL APPLICATIONS

- log infeed
- log sorting line
- slasher deck
- raw material infeed
- ash conveyors

# SPECIAL CHAINS | Y-CHAINS

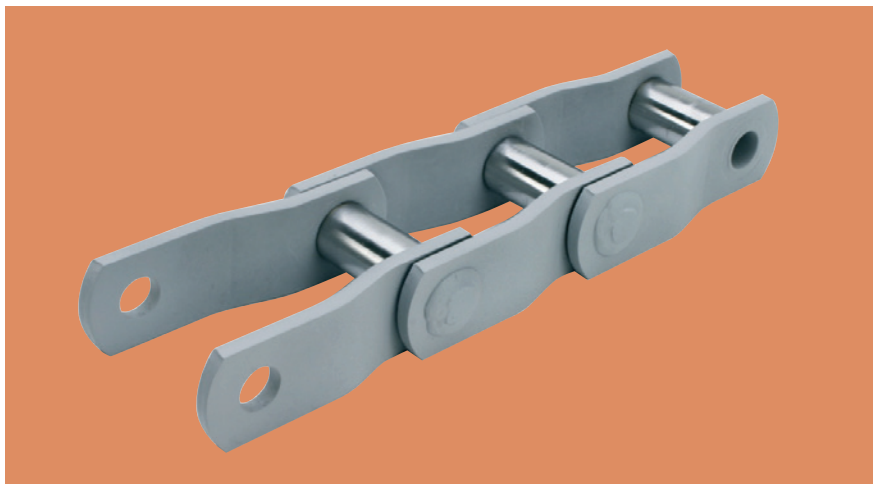
FB Offset Link Chain are designed for demanding conditions and manufactured of premium, heat-treated materials.

In FB Ketju's construction bushes and pins are welded which makes the construction extra strong. The bushes are welded outside to grant maximum strength. Our improved design sets us apart from the standard riveted or cotter versions on the market.



## TECHNICAL DATA

Components	Material	Heat treatment	Hardness
Side plate			
std	FB1000		200-250 HB
option	FB1000	QT	320-350 ± 20 HB
Pin			
std	BM311	QT+IH	52 ± 2 HRC
Bush			
std	16MnCr5	CH	60 ± 2 HRC
option	27MnCrB5	QT+IH	52 ± 2 HRC
option	CK15	CH	60 ± 2 HRC



## TYPICAL APPLICATIONS

- log conveyors
- heavy steel plate transport
- asphalt
- construction materials

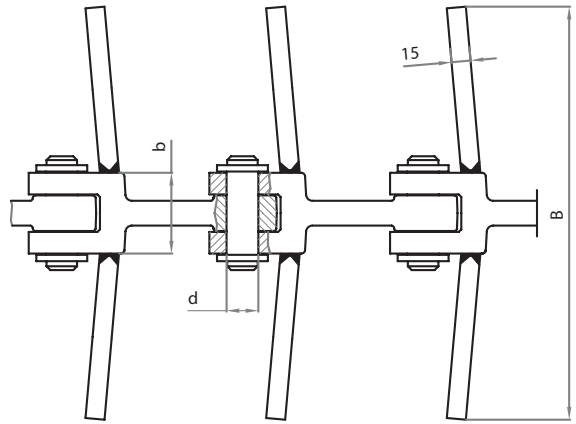
## UPON REQUEST

- saw mills
- pulp and paper
- metal
- cement
- asphalt
- construction materials

# SPECIAL CHAINS | DROP FORGED LINK CHAINS

## DROP FORGED LINK CHAINS

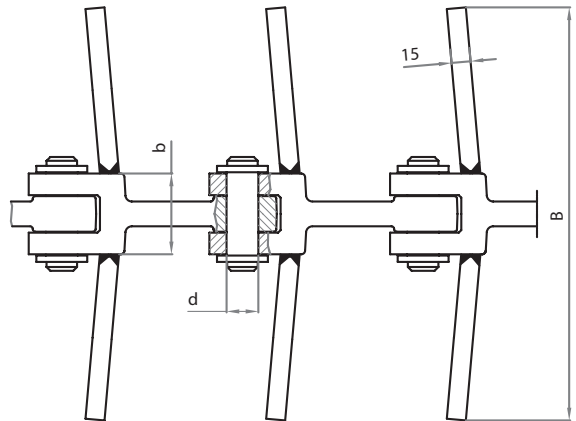
Chain	Pitch	Width	Height	Pin	Breaking Load	Allowed Load	Weight of Chain
		b	h	d			
		mm	mm	mm			
142N	142	42	50	25	270	35	9,7
142V	142	62	50	25	370	50	14
260	260	70	75	40	750	100	22,2



## CHAINS FOR HORIZONTAL TRANSPORT

(Basic chain 142N)

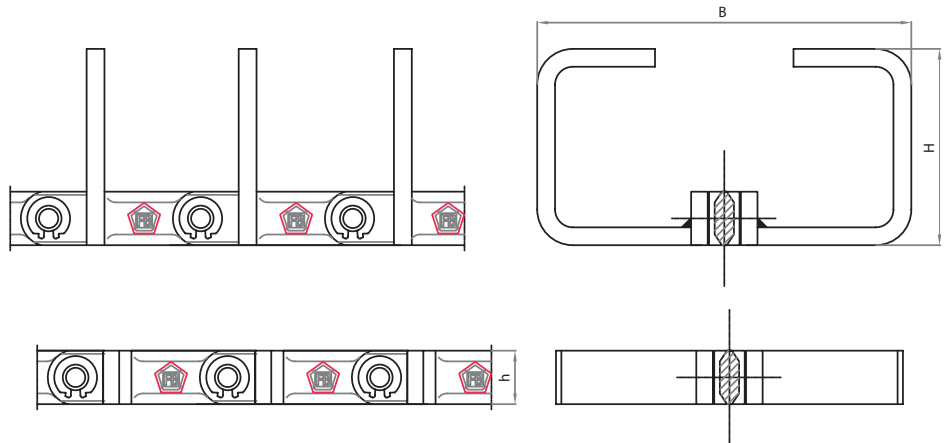
Width of the trough	B	Weight of Chain
	mm	kg/m
200	190	15,8
250	240	17,9
320	305	20,6
400	380	23,7
500	480	27,6



## CHAINS FOR VERTICAL TRANSPORT

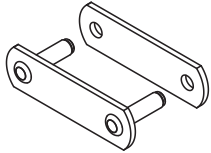
(Basic chain 142N)

Inner measures of the trough	H	B	Weight of Chain
	mm	mm	kg/m
125 x 200	119	190	18,8
160 x 250	150	238	21,6
200 x 320	188	306	25
250 x 400	236	384	27,2

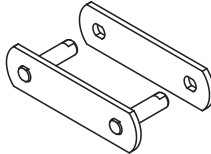


# CONNECTING LINKS

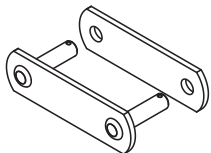
Connecting links have been updated to include new types of connecting links with the old ones:



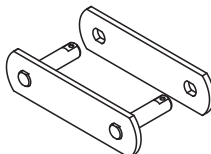
LL 1 - Welded Connection Link



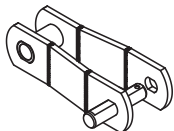
LL 2 - Riveted Connection Link



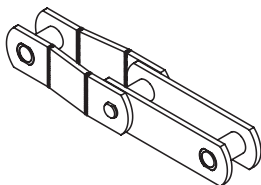
LL 3 - Welded Connection Link with Cotter



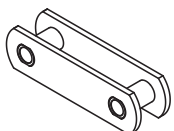
LL 4 - Riveted Connection Link with Cotter



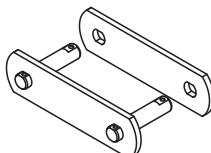
LL 5 - Offset Connection Link



LL 6 - Offset Double Link



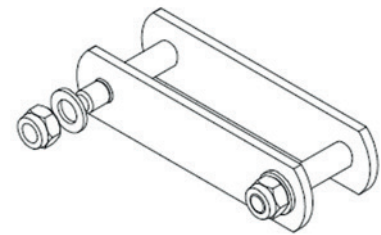
LL 7 - Inner Link



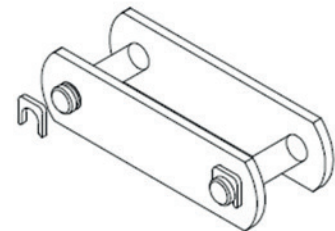
LL 8 - Connection Link with Cotter in Both Ends

Loose fit connecting links are also available for easier installation.

Connecting links with thread + nut are available with code LL9



Connecting links with locking ring are available with code LL10



\*LL is an acronym for finnish word Liitoslenkki (Connecting Link)

\*\*LL5 is also used as added 5 in our database.

\*\*\*LL7 is usually used as added 7 to in our database.

\*\*\*\*LL1-LL4 mostly on stock.

We recommend selling the same type of connecting links that are used in the chain.

# SPECIAL CHAINS | FB STAINLESS STEEL CHAINS

FB Stainless Steel Chains are available in riveted, cottered and welded versions.

FB Ketju has the special expertise to weld the challenging stainless steel material.  
The Stainless Steel Chains are available both in standard and customer specific dimensions.

## TECHNICAL DATA

MaterialS	Corrosion resistance	Side plates	Pins/Bushes/Rollers
AISI 420	+		X
AISI 304	++	X	X
AISI 316	++	X	X
Nitronic 60	+++		X



### INDUSTRIES

- copper refinery
- food industry
- pulp mills
- chemical industry

### TYPICAL APPLICATIONS

- copper refinery (anodes / kathodes)
- food raw material and final product conveyors
- fish cold room transporter
- conveyors working high alkaline or acidic circumstances