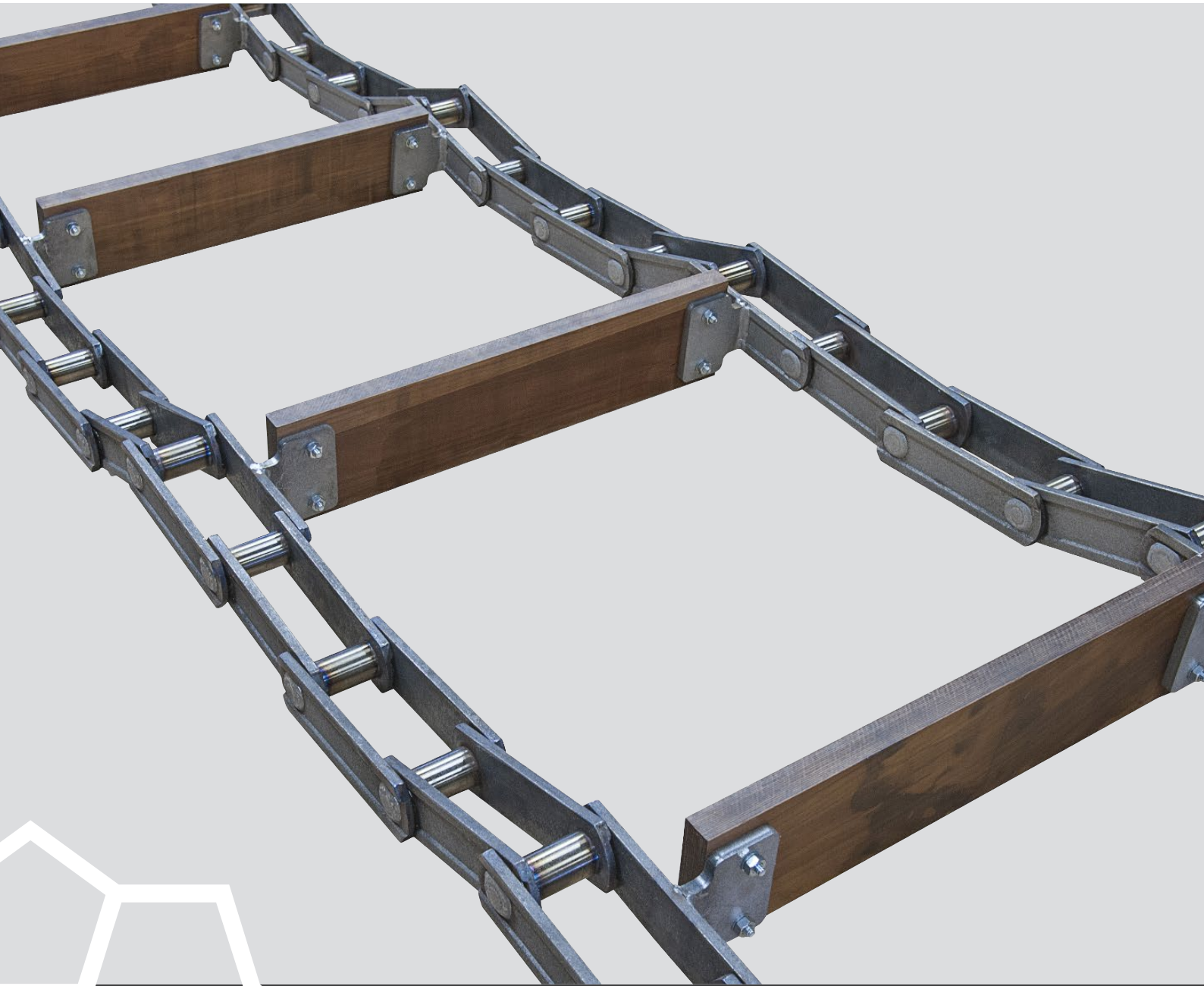




# FB500 GREEN CHAIN



PREMIUM QUALITY  
CONVEYOR CHAINS  
SINCE 1945

# The FB500 Green Chain is an innovation among conveyor chains.

It is not only an environmentally friendly chain solution consuming less material, energy and saving natural resources. It is also a cost-effective chain solution offering our customers clear economic benefits. FB500 chain has welded pins & bushes as a standard which makes it the right choice for demanding chain applications.

## FEATURES Compared with standard M450

- 27 % less weight
- 8% wider structure
- 13% lower structure
- wider bearing surface of pin&bush
- protected pin head welding

## BENEFITS

- easier, faster and safer to install
- less energy needed to run the chain
- more stable running
- better wear resistance, longer life span
- extended life cycle



## INDUSTRIES

- pulp and paper
- wood
- biomass and energy

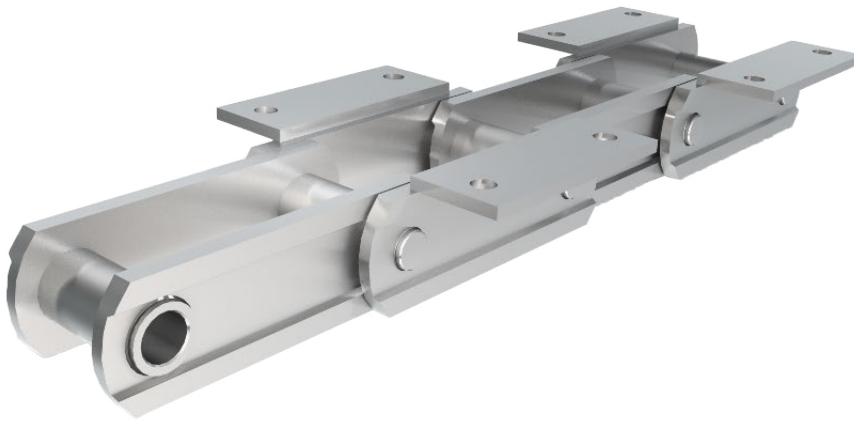
## TYPICAL APPLICATIONS

- log infeed
- log sorting line
- slasher deck
- raw material infeed
- ash conveyors



## STANDARD DIMENSIONS

Chain	Pitch mm	Inner width mm	Pin ø mm	Bush ø mm	Roller ø mm	Outer width mm	Side plates		Breaking load kN	Weight kg/m	
							Height/ mm	Width/ mm			w/roller
FB500	160 200	65	26	40	55	116			500		
							70	12		18,9	22,4
										17,3	20,1



## TECHNICAL DATA

Components	Material	Heat treatment	Hardness
<b>Side plate</b>			
std	FB1000		200-250 HB
option 1	FB1000	QT	320-350 HB ± 20 HB
<b>Pin</b>			
std	BM311	QT+IH	52 ± 2 HRC
option 1	AISI 420	QT+IH	50 ± 2 HRC
<b>Bush</b>			
std	CK15	CH	60 ± 2 HRC
option 1	AISI 420	QT+IH	50 ± 2 HRC
<b>Roller (type B)</b>			
option 1	CK15	CH	58 ± 2 HRC



# FB Ketjutekniikka



PREMIUM QUALITY  
CONVEYOR CHAINS  
SINCE 1945



We have spent many years working with Scandinavia's leading steel producers refining the specialized steels for our conveyor chains.

Our conveyor chains are manufactured using automatic assembly and robotic welders.

**We make the future of conveyor chains.**

## FB KETJUTEKNIikka OY

Kokemäentie 451  
27710 Köyliö, Finland  
tel. +358 207 199 460  
fb@fbketjutekniikka.fi  
www.fbketjutekniikka.fi

ORGANISATION  
CERTIFIED BY

**Inspecta**

ISO 9001  
ISO 14001

