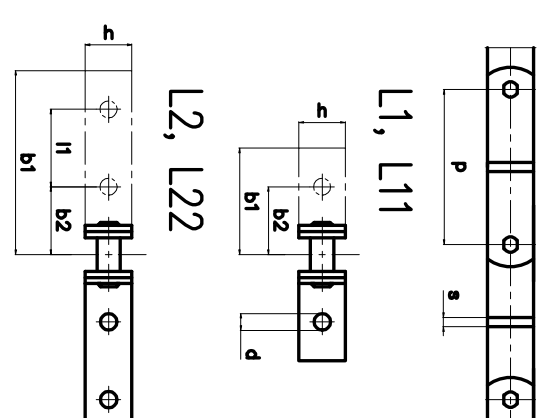
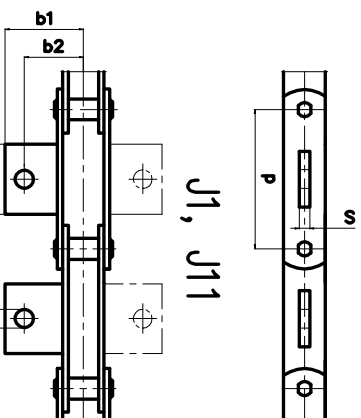
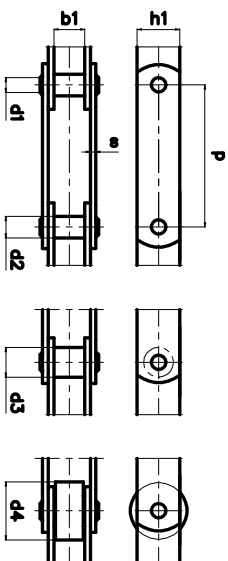
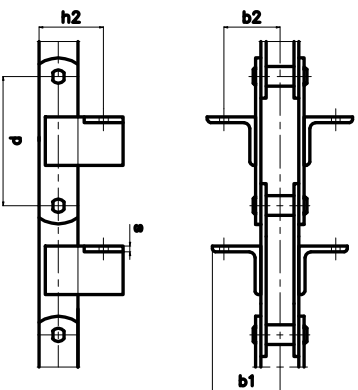
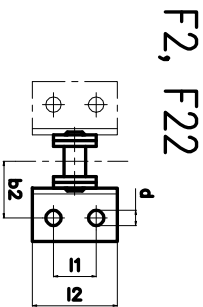
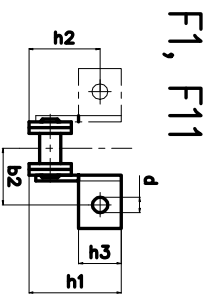
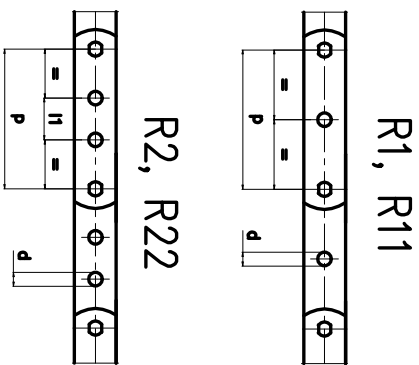




FB Ketjutekniikka Oy

Conveyor Chain Specification



Chain type	"A-B-C-D-E"
Chain pitch, p	mm
Chain inner width, b1	mm
Pin	Riveted or welded
Pin diameter, d1	mm
Hollow Pin inner diam.	mm
Bush	Pressed or welded
Bush diameter, d2	mm
Roller diameter, d3/d4	mm
Inner Plate thickness, s	mm
Inner Plate height, h1	mm
Outer Plate thickness, s	mm
Outer Plate height, h1	mm
Needed volume	m
Delivery length	m
Type of connecting link in delivery lengths	
Loose fit needed in connection link	
Any other information:	

Provide any other information, attachment type, working conditions etc.